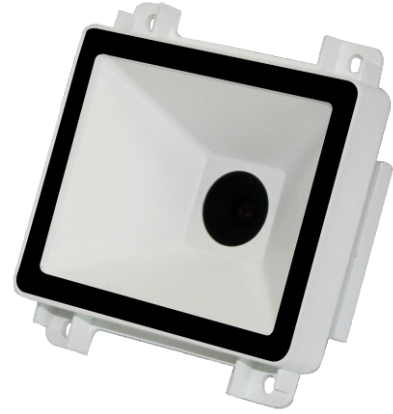


XL-3042M

2D Scan Module

Designed for access control application
Higher integration level, easy operate



Auto



ARM



1D/2D



Mobile payment



640x480Pixel

Applications



Features

- Large scan window exceeds same level products.
- Fast reading bright/dim codes on the screen with inner light supplement.
- Autonomous technology, low power consumption.
- Strong decoding ability for 1D&2D code on the screen.
- Excellent resolution with high speed sensing.
- Support secondary development for various interfaces.

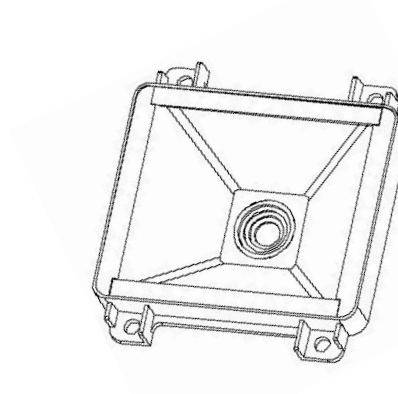


XL-3042M

Technical Parameters

Performance Parameter

Light Source	White light LED
CPU	32bit MIPS @1G Hz
Imager Sensor	CMOS
Scan Mode	Induction Scan
Resolution	640×480 pix
Scan Speed	60fps
Scan Precision	≥4mil
Scan Angle	Roll 360°, Pitch 65°, Skew 60°
View Angle	Horizontal 70°, Vertical 50°
Depth of Field	20~120mm(13mil code39 PCS90%)
Decoding Capability	1D : EAN-13, EAN-8, UPC-A, UPC-E, ISSN, ISBN, Codabar, Code 128, Code 93, ITF-6, ITF-14, Interleaved 2 of 5, Industrial 2 of 5, Standard 2 of 5, Matrix 2 of 5, GS1 Databar, Code 39, Code 11, MSI-Plessey, Plessey , etc. 2D : PDF417, Data Matrix, QR Code, Aztec Code



Other Parameters

Size	LxWxH=65.1x61.6x33mm
Material	ABS+PC
Input Voltage	DC5V
Operating Current	130mA
Static Current	80mA
Indicator	Buzzer
Support Interface	RS232,USB
Support Code	Support Alipay, Paper code, Mobile phone screen, PC screen, etc.
Temperature (Operating)	-10°C~50°C
Humidity	5% to 95% (non-condensing)
Temperature (Storage)	-20°C~60°C
Light Levels	0~5000Lux (fluorescence), 0~100,000 Lux (sunlight)

*XL-3042M-11/22B-V.1.0.0

