



RH11

2D Barcode Scanner

Light and Handy

Quick and Accurate Decoding

Support Online Upgrade



1D/2D



Mobile payment



32-bit



Red LED



Plug and play



640x480 Pixels



1.5M Drop

Features

- Unique appearance and stable structure
- Plug and play, suit with multiple countries' keyboard layout
- Good at reading 1D and 2D codes on paper and screen
- Excellent performance on damaged, fuzzy and wrinkled barcodes
- Support online upgrade for extended functions
- Fit with retail stores, restaurants, groceries and pharmacies, etc



SUNLUX IOT TECHNOLOGY (GUANGDONG) INC.

Office Add: Room 1201, Building A, No.76 Xinye Road, Huangpu District, Guangzhou, 511356, China
Tel: +86-20-32053765 Fax: +86-20-82115390 Website: www.xl-scan.com E-mail: overseas01@xl-scan.cn

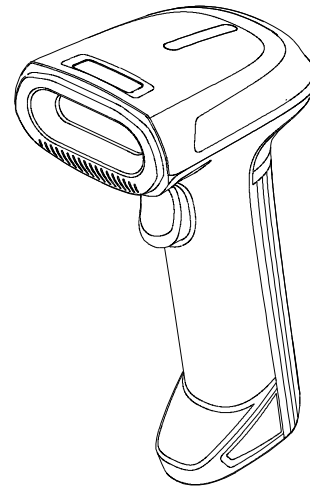


RH11

Technical Parameters

Performance Parameter

| | |
|---------------------|--|
| CPU | 32bits ARM |
| Light Source | White LED (Lighting) Red LED(aiming) |
| Scan Mode | Manual & Automatic |
| Image Sensor | CMOS |
| Resolution | 640x480 Pixels |
| Scan Speed | 60fps |
| Motion Tolerance | 1.5 m/s |
| Scan Precision | ≥3mil (code 128) |
| Depth of Field | 60~300mm (13mil code39) |
| Print Contrast | ≥15% |
| Interface | USB-HID, USB-VCP, RS232 |
| Decoding Capability | 1D: Codabar, Code11, Code39, Code32, Interleaved 2 of 5, Industrial 2 of 5, Matrix 2 of 5, Code93, Code128, GS1-128, UPC-A, UPC-E, EAN 8, EAN 13, ISBN, ISSN, GS1 DataBar (RSS14), GS1 DataBar Limited, GS1 DataBar Expanded, MSI, Standard 25, Plessey 2D: PDF417, Micro PDF417, QR Code, Data Matrix, Aztec Code, Hanxin code, Maxicode |



Physical Parameter

| | |
|---------------|--------------------------|
| Size | L × W × H: 171×64×87(mm) |
| Weight | 175g |
| Case Material | ABS+PC |

Electrical Parameter

| | |
|-----------------|-------|
| Input Voltage | 5V |
| Working Current | 180mA |
| Standby Current | 75mA |

Environmental Parameter

| | |
|-----------------------------|--|
| Temperature (Operating) | -10°C~50°C |
| Humidity | 5% to 95% (non-condensing) |
| Temperature (Storage) | -20°C~60°C |
| Resistance To Ambient Light | 0 ~ 5000Lux(fluorescent light) 0 ~ 100,000Lux(sunlight) |

The depth of field performance

| code 39 (6 digits) | Minimum distance(mm) | Maximum distance(mm) |
|--------------------|----------------------|----------------------|
| 4mil | 60 | 120 |
| 8mil | 40 | 200 |
| 13mil | 60 | 300 |
| 20mil | 90 | 400 |
| | | |
| | | |
| QR code | Minimum distance(mm) | Maximum distance(mm) |
| 6mil | 40 | 90 |
| 15mil | 20 | 200 |
| 20mil | 30 | 270 |
| 45mil | 60 | 500 |
| | | |

*RH11-11/25B-V.1.0.0

